

CREATE
YOUR STYLE
with SWAROVSKI ELEMENTS



DESIGN PROJECT
SUMMER HOLIDAYS
KEY RING
“SPARKLING ROCK”

SUMMER HOLIDAYS KEY RING

“SPARKLING ROCK”



SWAROVSKI ELEMENTS

Article	Product Group	Article No.	Amount	Size	Color	Color Code
	Fancy Stones	4137	1 pc.	22x16 mm	Crystal Red Magma	001 REDM
	Fancy Stones	4139	1 pc.	14 mm	Crystal Copper	001 COP
	Fancy Stones	4139	2 pcs.	14 mm	Crystal Golden Shadow	001 GSHA
	Fancy Stones	4139	1 pc.	14 mm	Crystal Red Magma	001 REDM
	Fancy Stones	4437	1 pc.	14 mm	Crystal Red Magma	001 REDM
	Fancy Stones	4437	1 pc.	14 mm	Crystal Sahara	001 SAH
	Fancy Stones	4437	1 pc.	14 mm	Crystal Tabac	001 TAB
	Fancy Stones	4439	1 pc.	20 mm	Crystal Sahara	001 SAH
	Pendants	6150/A	1 pc.	50 mm	Mosaic Sand Opal	755

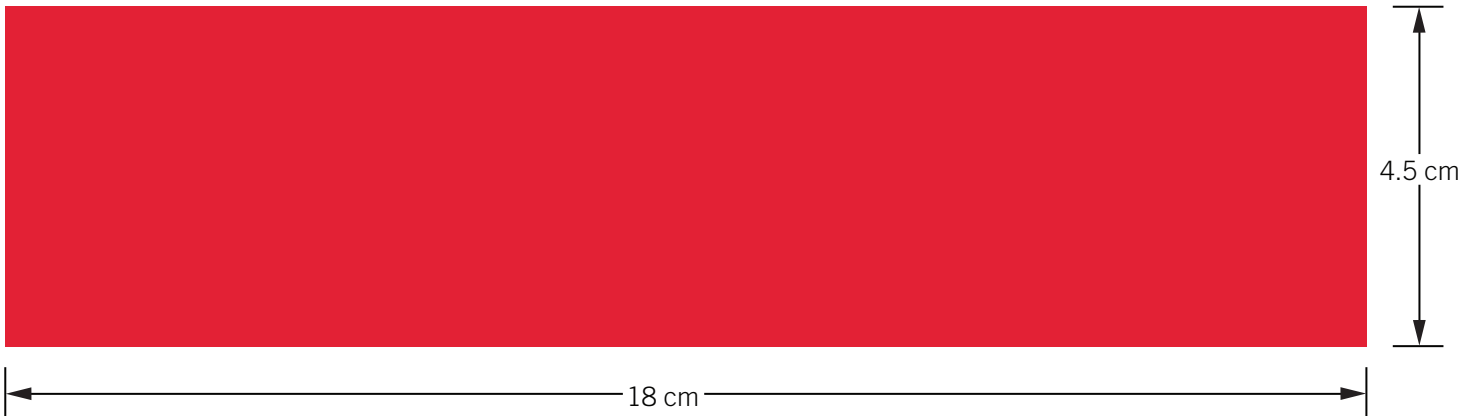
Supplies & Tools

- Supplies**
- Button silk
 - Fabric, red, 18x4.5 cm
 - Hemp ribbon, natural, Ø7 mm, 16 cm
 - 1x Jump ring, bronze, Ø4 mm
 - 38x Jump ring, bronze, Ø12 mm
 - 1x Key ring, bronze
 - Sewing silk, red
- Tools**
- Flat nose pliers
 - Sewing machine
 - Sewing needle
 - Scissors

Level of design: BEGINNER

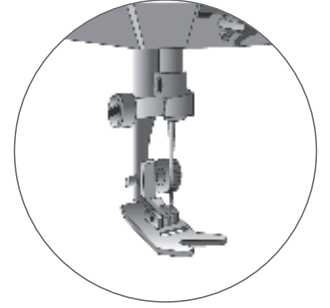
Have also a look at the **text instruction** at the last page!

STEP 1

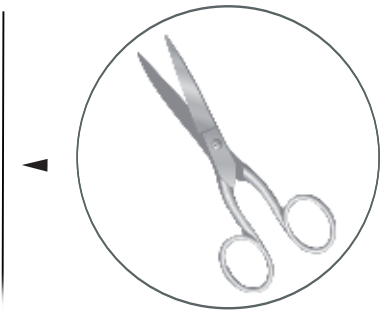


STEP 2

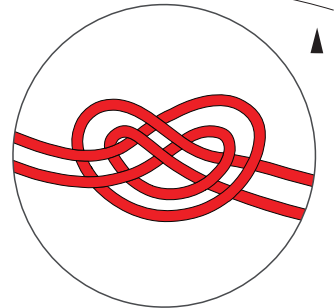




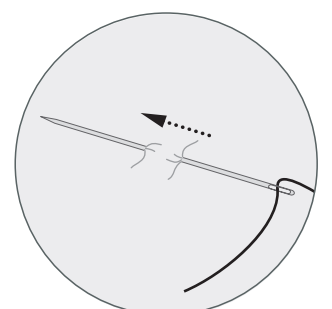
STEP 3



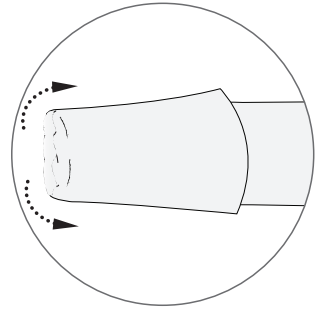
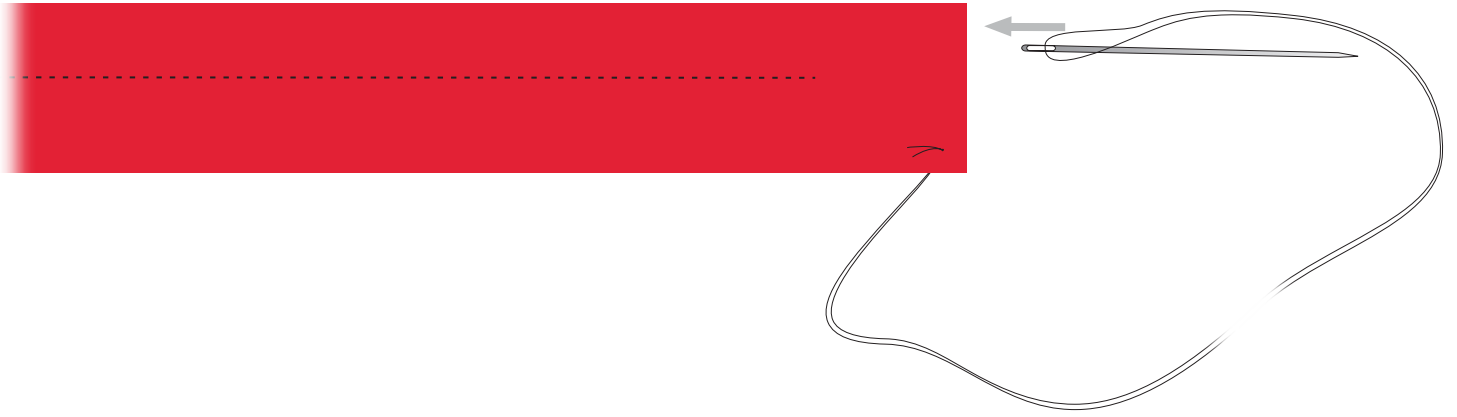
50 cm



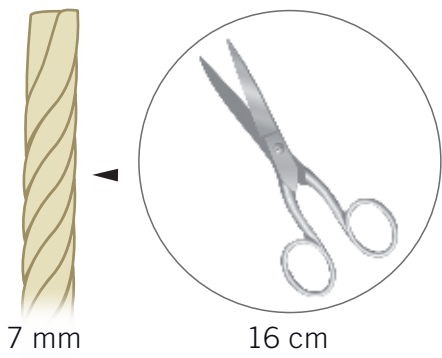
STEP 4



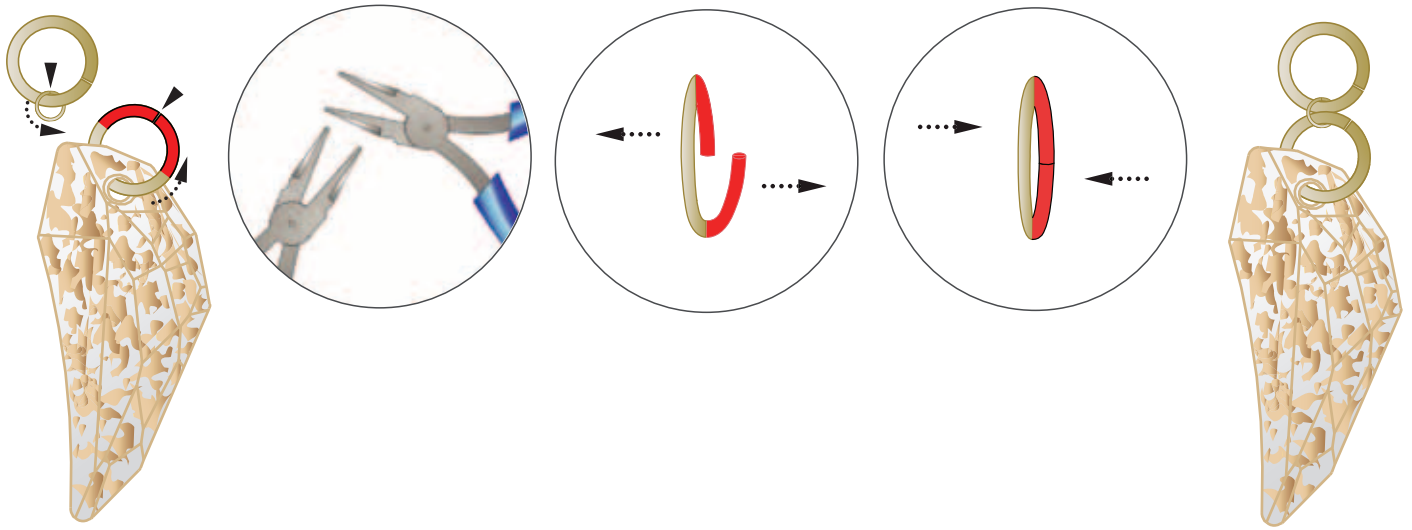
x2



STEP 5



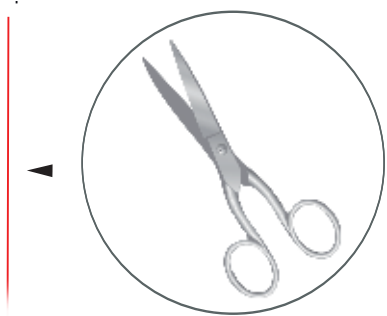
STEP 6



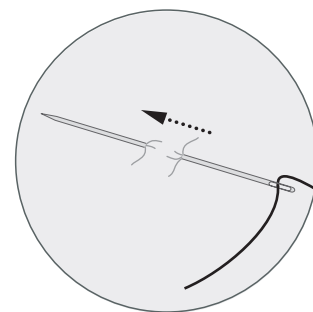
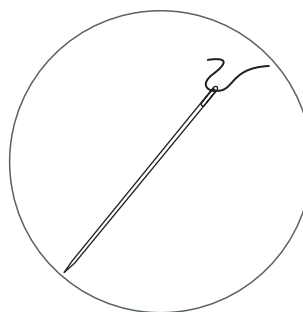
STEP 7



STEP 8



50 cm



x4



SUMMER HOLIDAYS KEY RING

“SPARKLING ROCK”



- STEP 1: Cut the fabric to a measurement of 18x4.5cm.
- STEP 2: Fold the fabric stripe into half. Sew the fabric with a sewing machine 1cm from the edge. Leave a gap of 2cm on both edges while sewing as shown in the illustration.
- STEP 3: Cut 50cm button silk thread. Fold in half, thread it through the needle and tie a knot at the ends.
- STEP 4: Stitch the button silk with two back stitches at one end of the fabric. For turning over the fabric thread the needle backwards through the fabric.
- STEP 5: Cut 16cm of hemp ribbon and thread it through the red fabric prepared in the previous step.
- STEP 6: Open a 4mm jump ring with flat nose pliers and attach it to a 12mm jump ring. Open another 12mm jump ring and attach it to Swarovski Pendant art. 6150/A Mosaic Sand Opal and also through the 4mm jump ring as shown in the pictures with this step.
- STEP 7: Thread the ribbon fabric through the 12mm jump ring with Swarovski Pendant art. 6150/A Mosaic Sand Opal. Slide the SWAROVSKI ELEMENTS and jump rings on in the following order.

From right to the center attach:

Three 12mm jump rings – Swarovski Fancy Stone art. 4139 14mm Crystal Golden Shadow – Three 12mm jump rings – Swarovski Fancy Stone art. 4439 20mm Crystal Sahara – Two 12mm jump rings – Swarovski Fancy Stone art. 4139 14mm Crystal Copper – Two 12mm jump rings – Swarovski Fancy Stone art. 4437 14mm Crystal Sahara – Two 12mm jump rings – Swarovski Fancy Stone art. 4139 14mm Crystal Red Magma – One 12mm jump rings.

From center to left attach:

Two 12mm jump rings – Swarovski Fancy Stone art. 4139 14mm Crystal Golden Shadow – Four 12mm jump rings – Swarovski Fancy Stone art. 4437 ring 14mm Crystal Red Magma – Three 12mm jump rings – Swarovski Fancy Stone art. 4137 22x16mm Crystal Red Magma – Five 12mm jump rings – Swarovski Fancy Stone art. 4437 14mm Crystal Tabac – Four 12mm jump rings – key ring.

- STEP 8: Cut 50cm of sewing silk and sew both ends of the ribbon fabric together as shown in the illustration. Close the slit with back stitches and turn the seam inwards and hide them under the jump rings.