

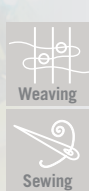
CREATE
YOUR STYLE with
CRYSTALLIZED™
-Swarovski Elements

DESIGN PROJECT

CHRISTMAS DECORATION ANGEL



CHRISTMAS DECORATION ANGEL



CRYSTALLIZED™ – Swarovski Elements

Supplies & Tools

Article	Product Group	Article No.	Amount	Size	Colour	Colour Code
	Sew-on Stones	3700	2 pcs.	6 mm	Peridot	214
	Sew-on Stones	3700	1 pc.	8 mm	Erinite AB	360
	Beads	5000	3 pcs.	2 mm	Peridot	214
	Beads	5000	11 pcs.	4 mm	Crystal Golden Shadow	001 GSHA
	Beads	5000	3 pcs.	4 mm	Blue Zircon	229
	Beads	5000	2 pcs.	6 mm	Crystal Golden Shadow	001 GSHA
	Beads	5000	2 pcs.	6 mm	Erinite AB	360
	Beads	5005	1 pc.	16 mm	Crystal Golden Shadow	001 GSHA
	Beads	5328	2 pcs.	6 mm	Blue Zircon	229
	Beads	5531	2 pcs.	18 mm	Olivine	228
	Pendants	6010	11 pcs.	11x5.5mm	Crystal Golden Shadow	001 GSHA
	Pendants	6202	1 pc.	10.3x10mm	Crystal Vitrail Medium	001 VM
	Pendants	6301	2 pcs.	8 mm	Peridot	214

Supplies

- 1 Crimping tube, gold
- 13 Handcraft straws, natural, Ø5 mm
- Nylon thread, transparent, 0.15, 3.3 m
- Tiger tail, gold, 0.38, 30 cm

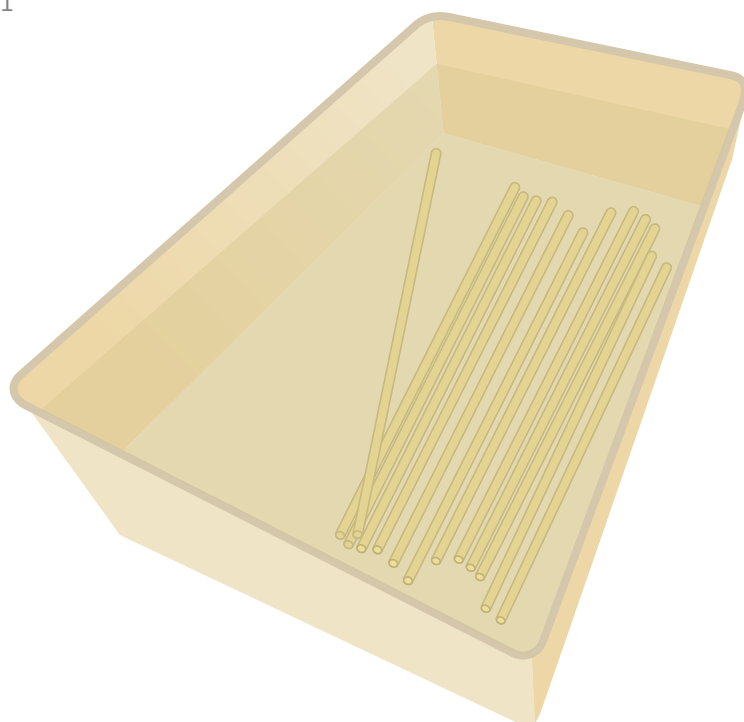
Tools

- Box with water
- Crimping pliers
- 10 Needles
- Scissors
- Side cutter

Level of design: **ADVANCED**

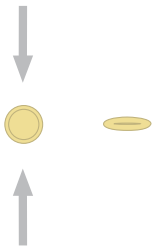
Have also a look at the **text instruction** at the last page!

STEP 1



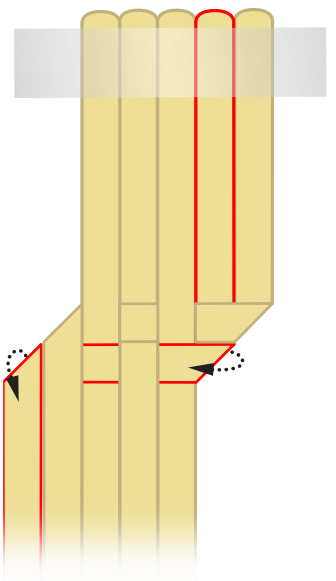
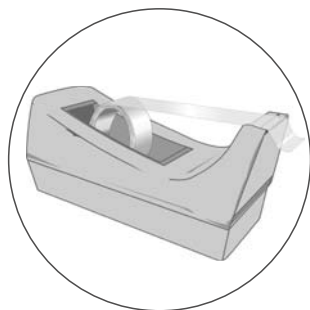
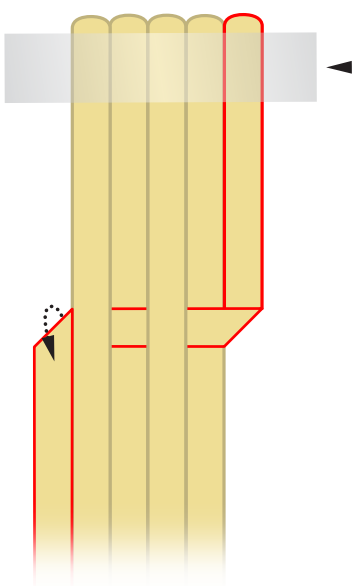
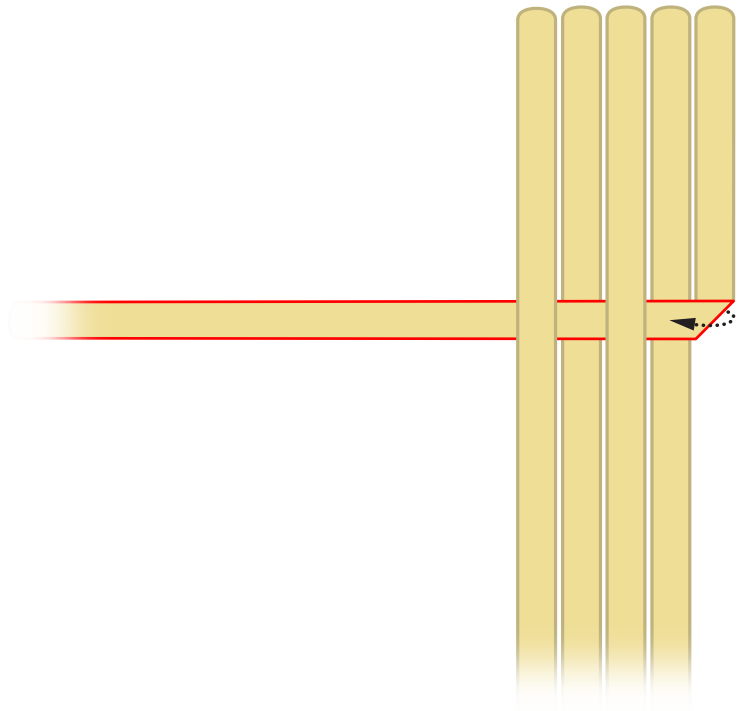
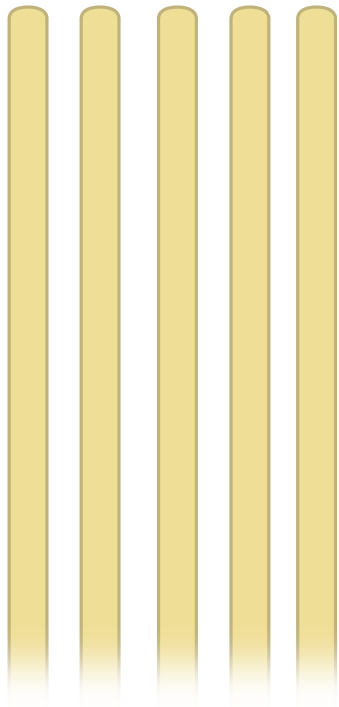
Scale 1:4

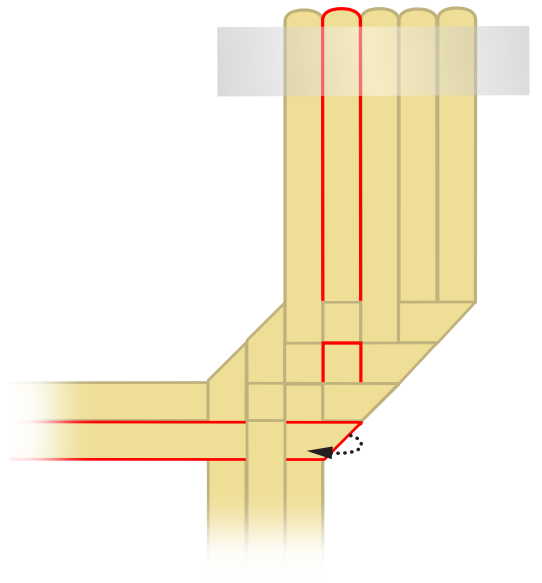
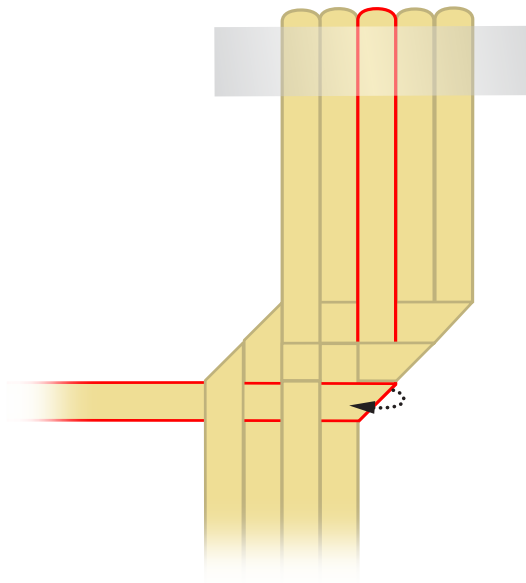
STEP 2



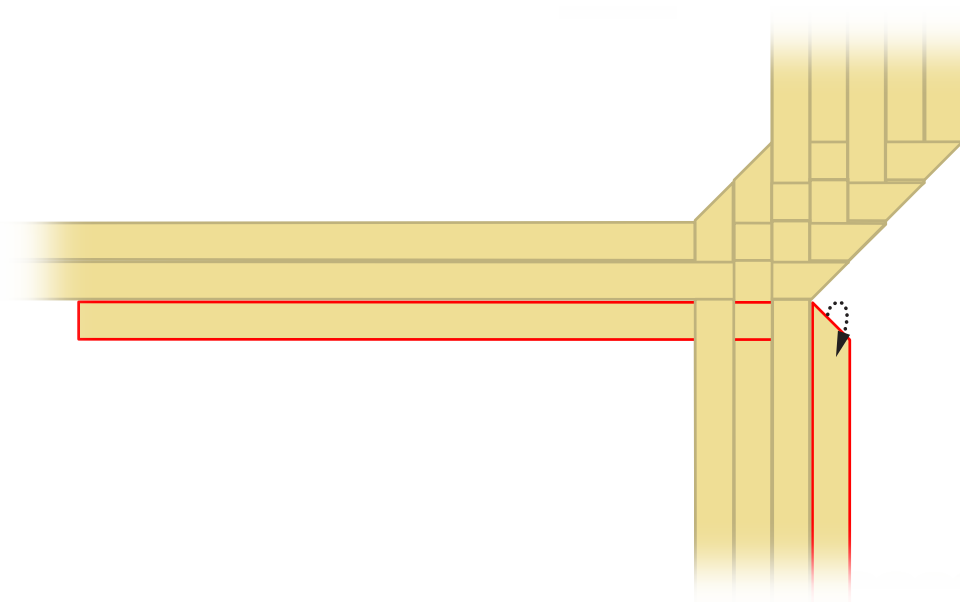
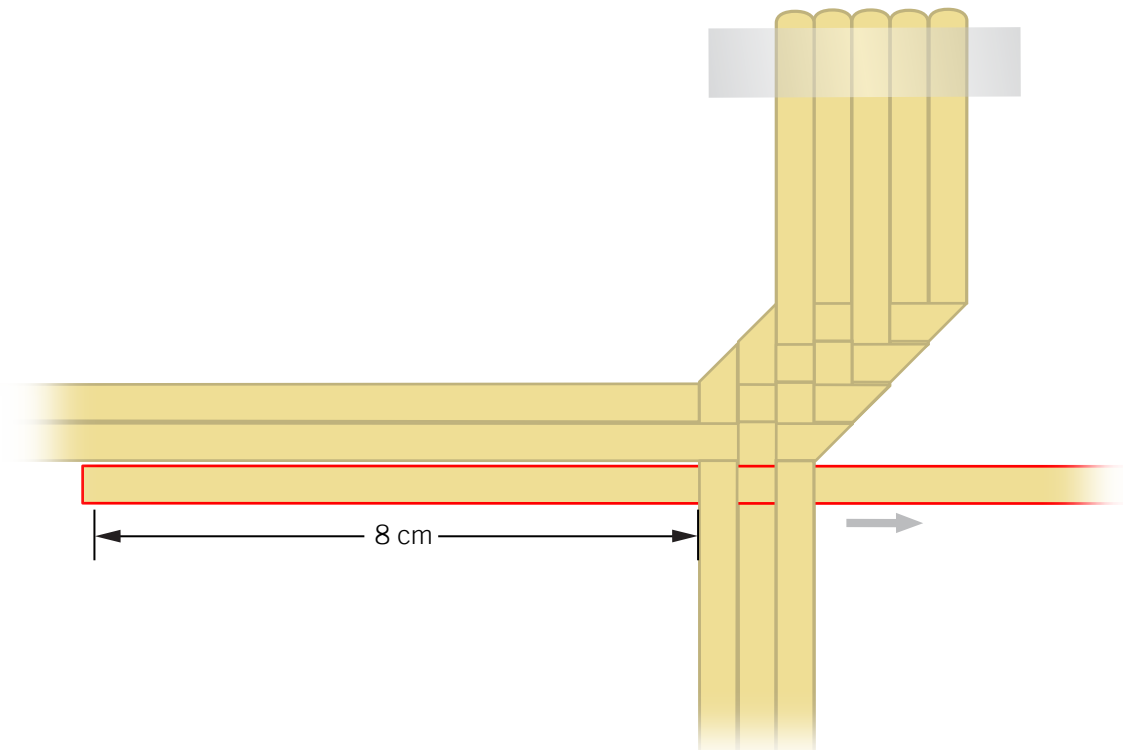
Repeat x12

Scale 1:1

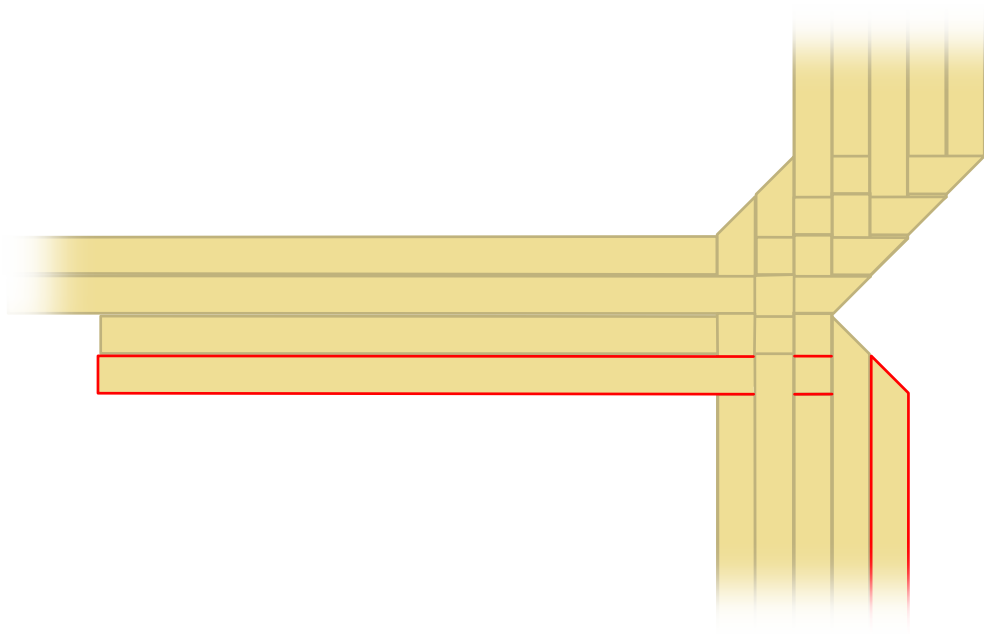




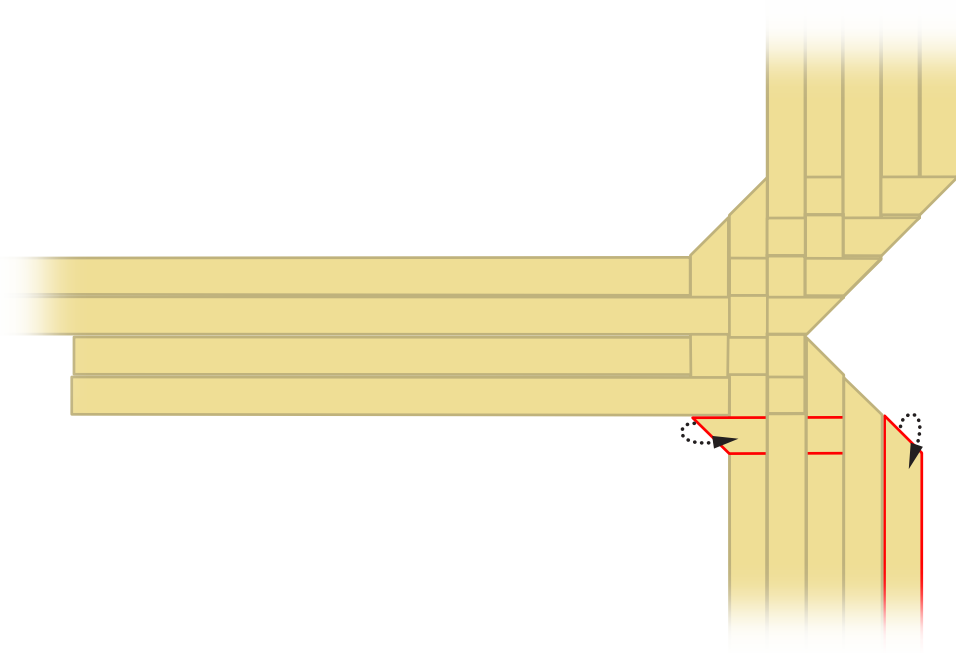
STEP 3



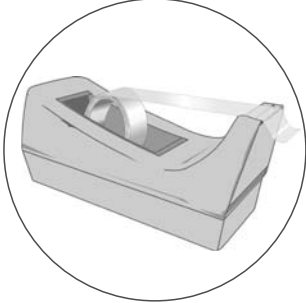
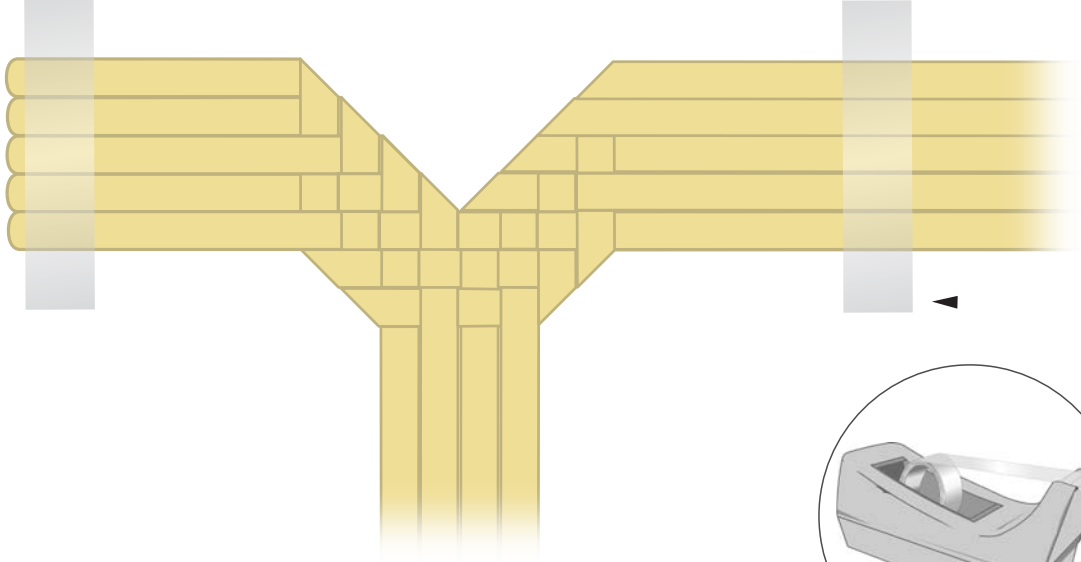
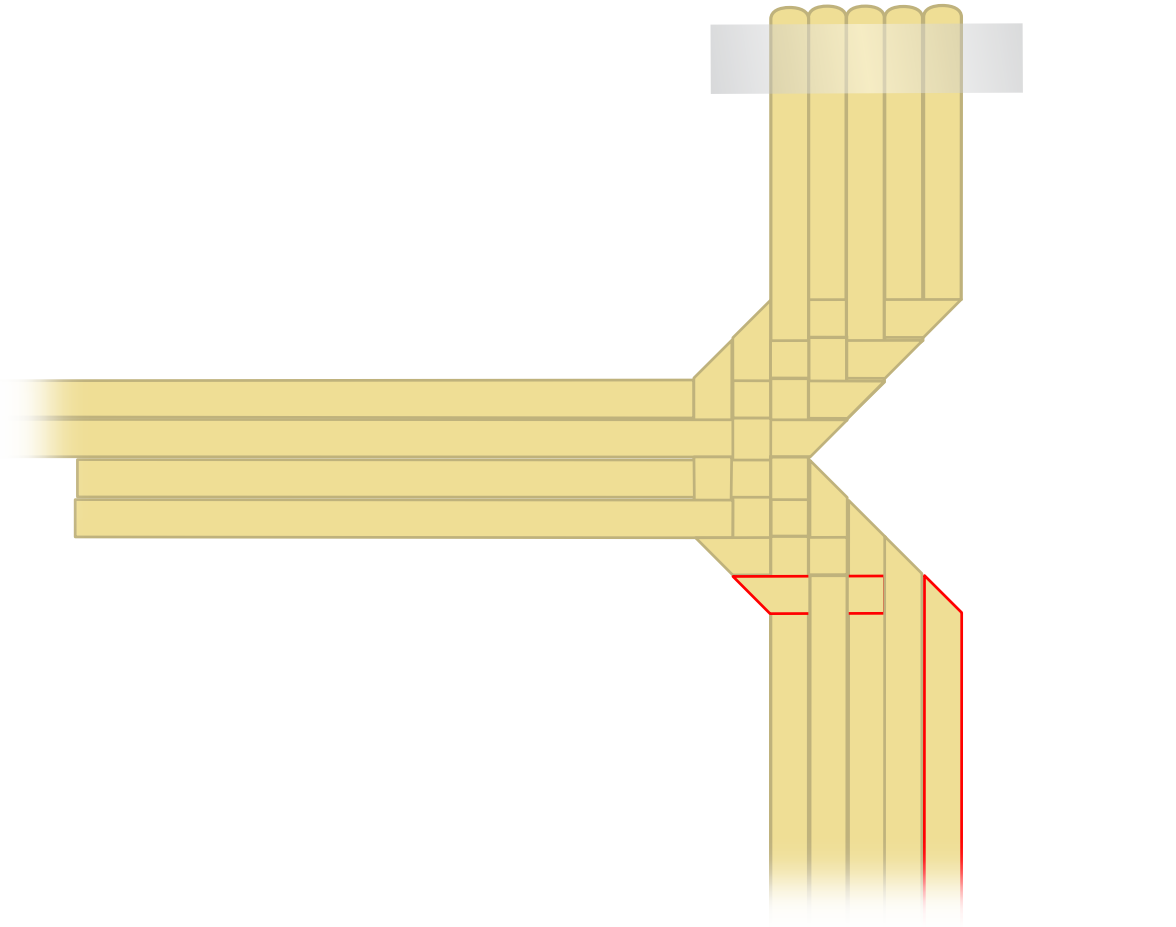
Repeat x1



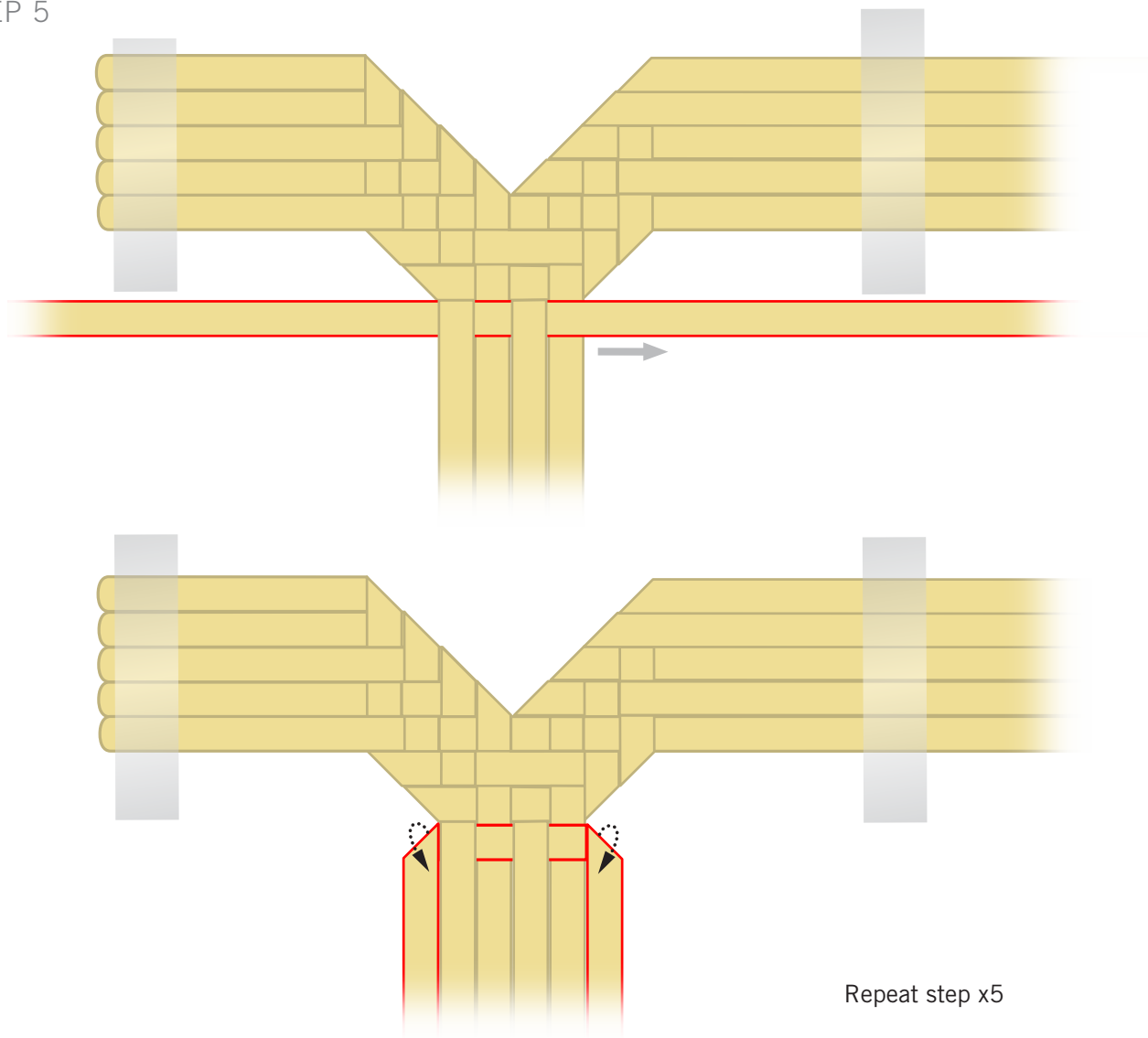
STEP 4



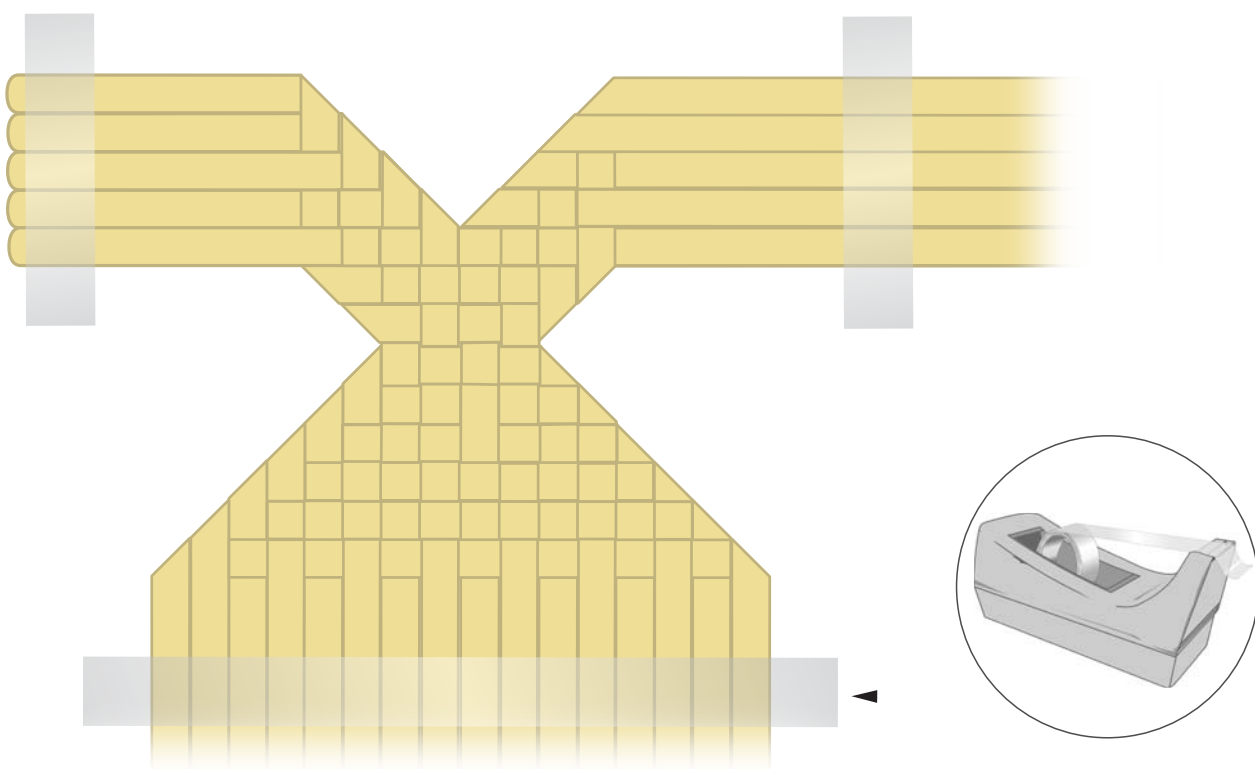
Repeat step 4



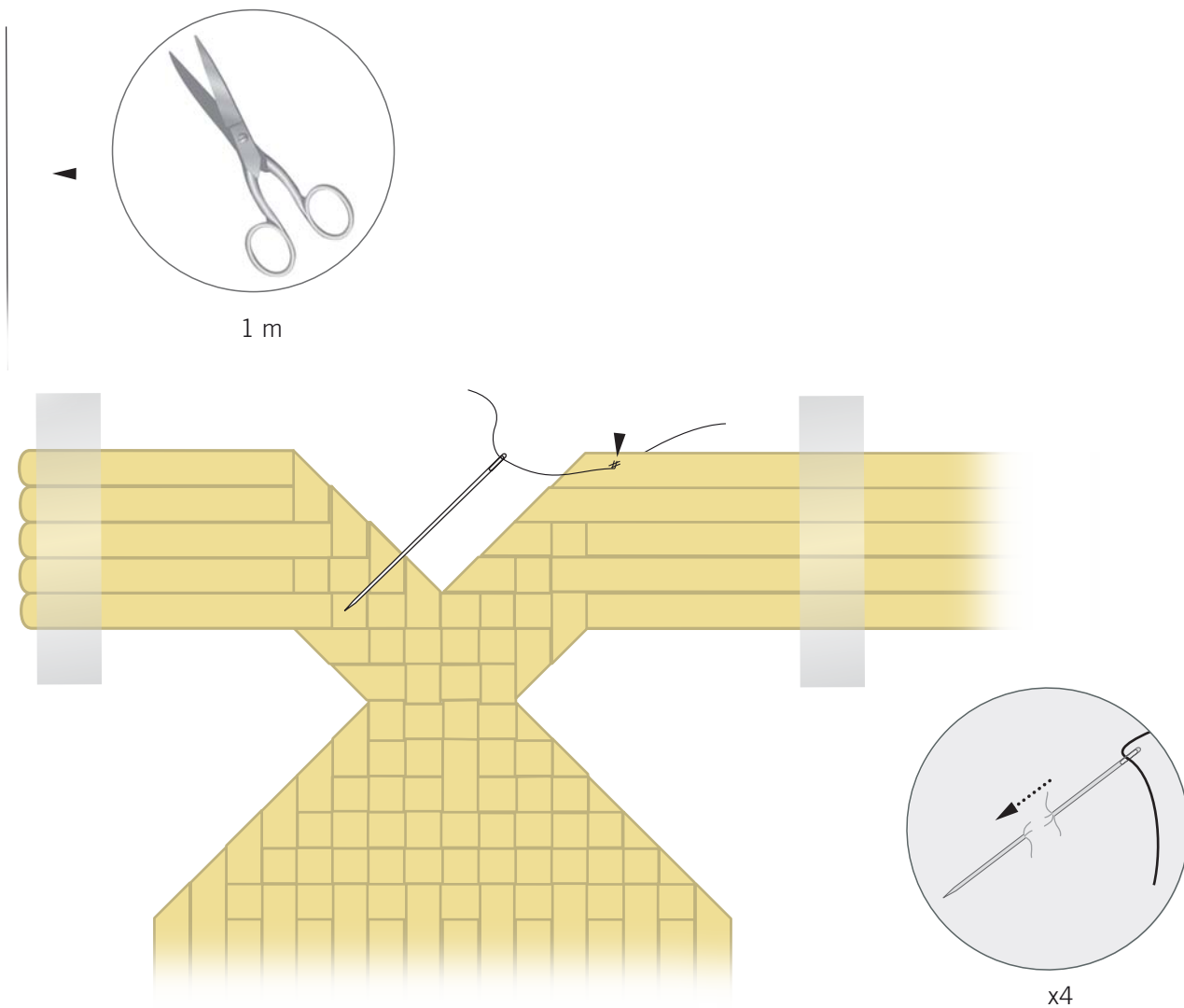
STEP 5



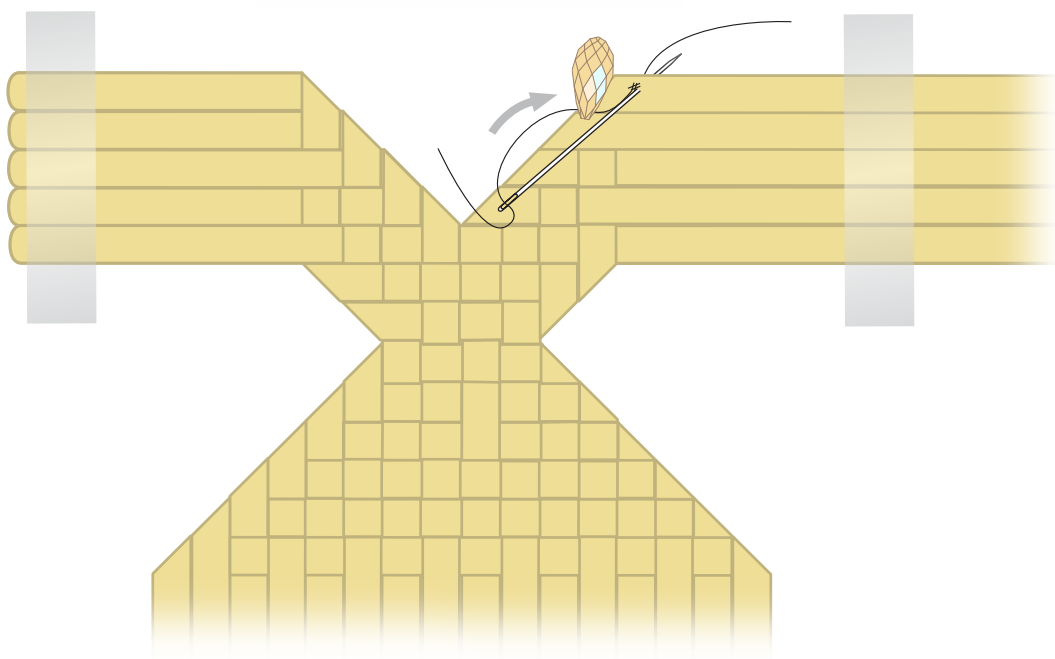
STEP 6



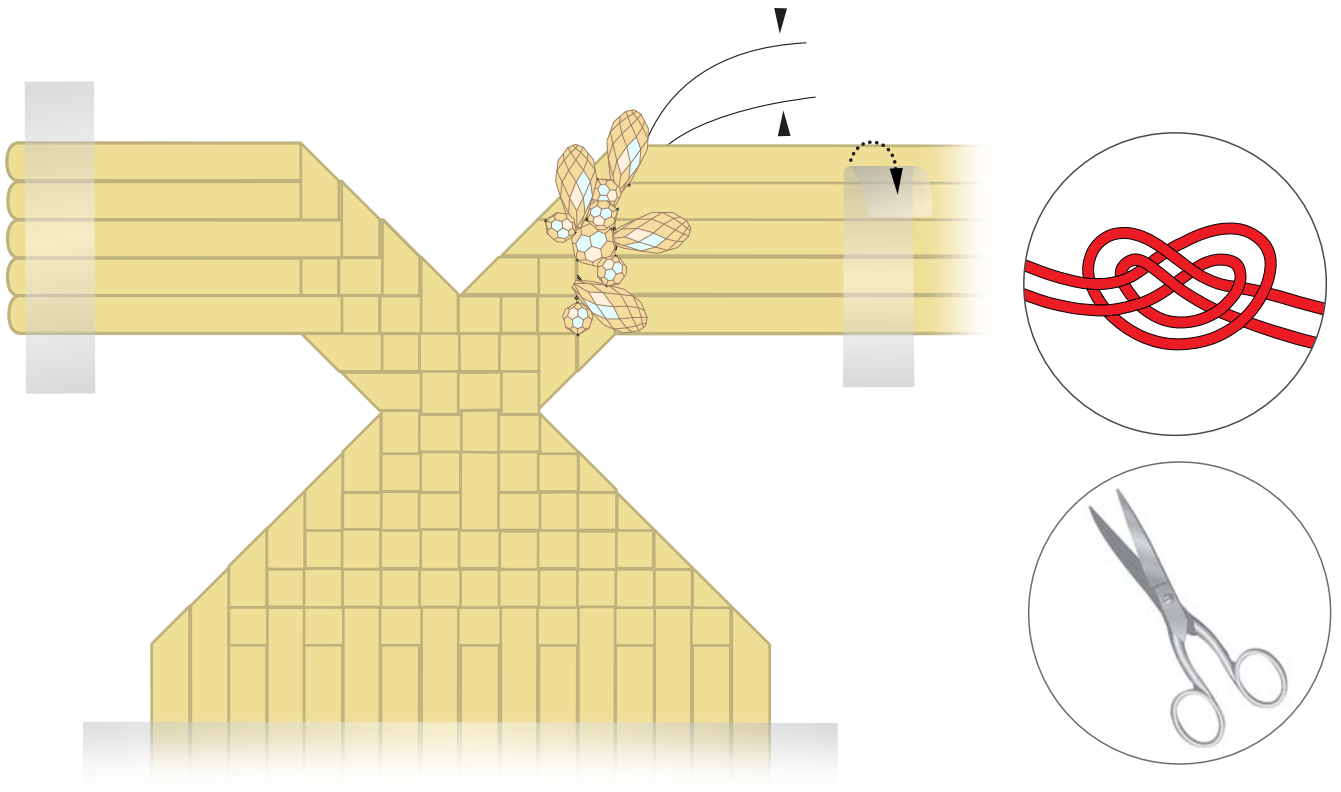
STEP 7



STEP 8

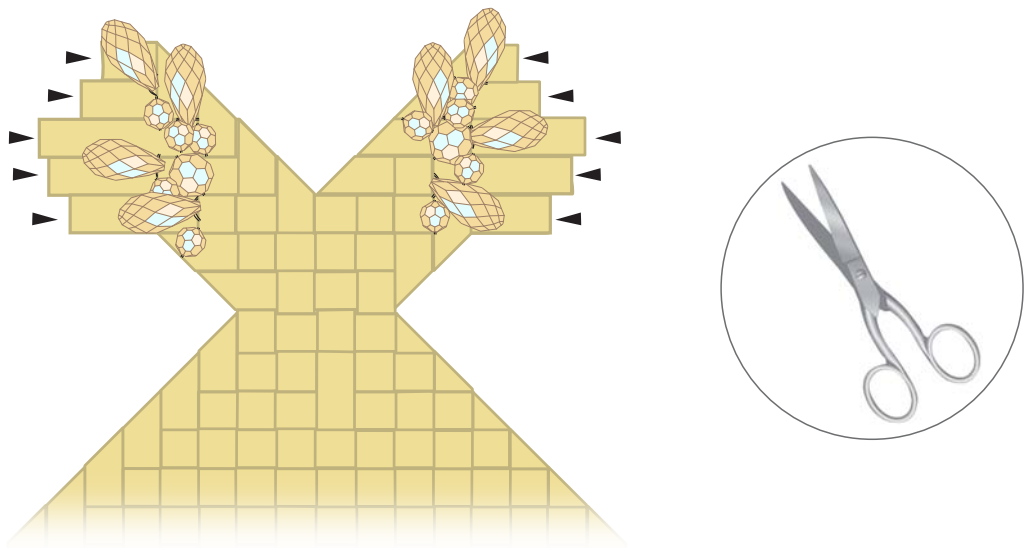


Repeat steps 7 - 8 x9

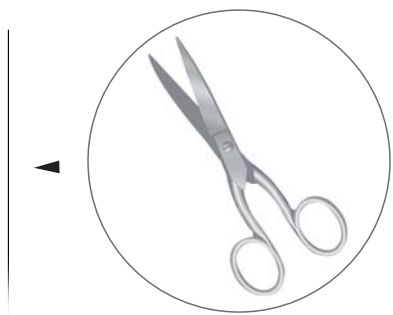


STEP 9

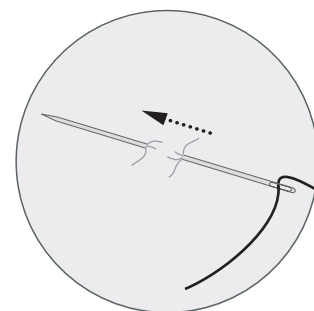
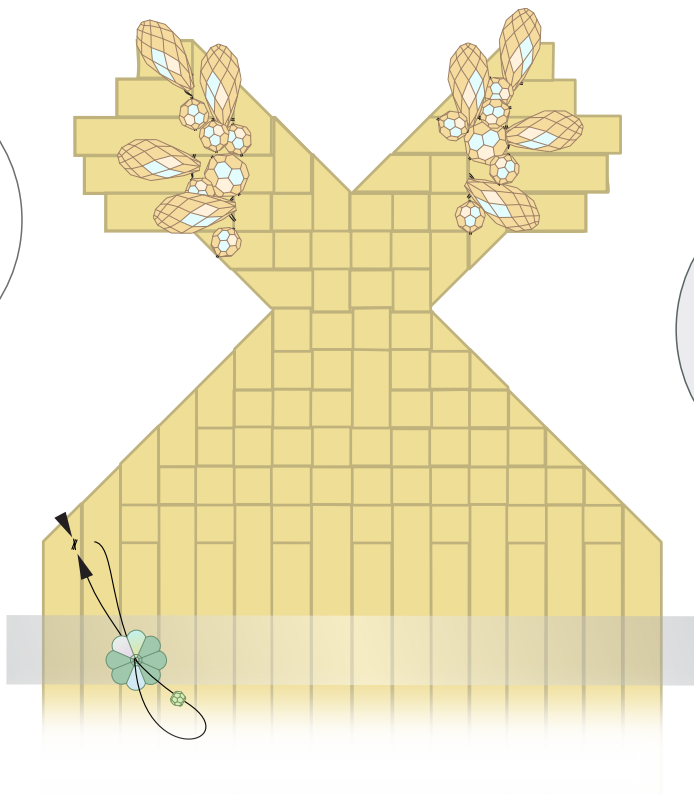
Repeat steps 7 - 8 x1



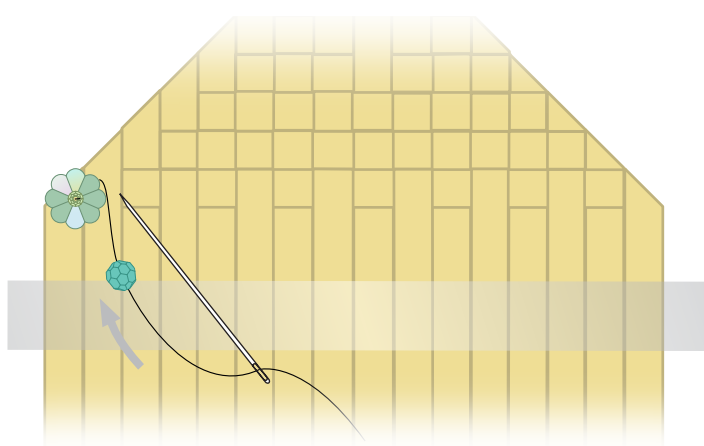
STEP 10



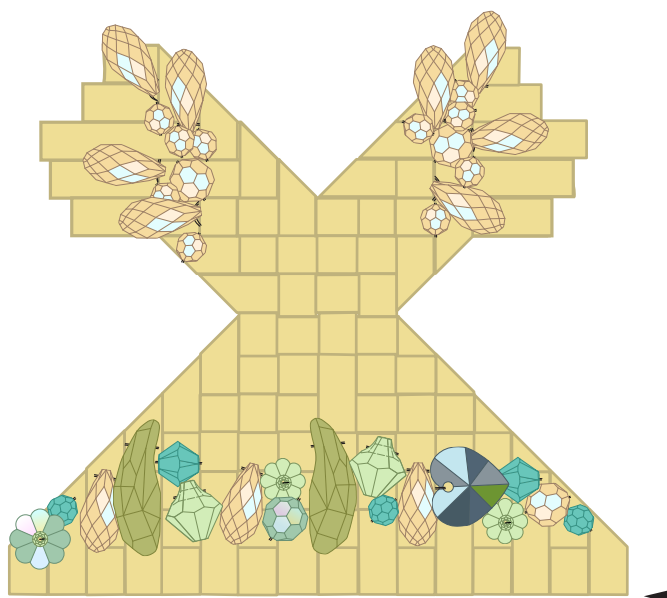
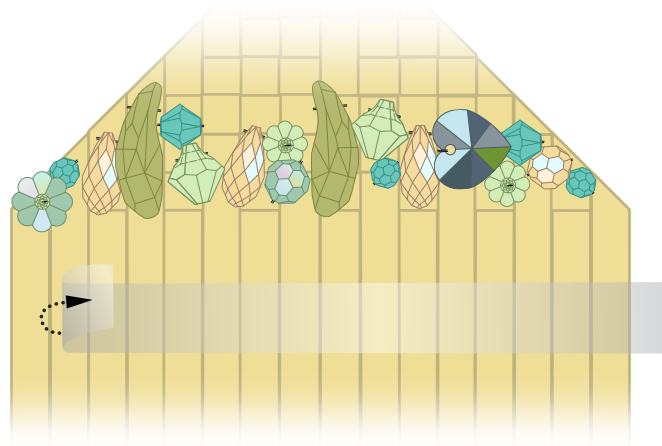
1 m

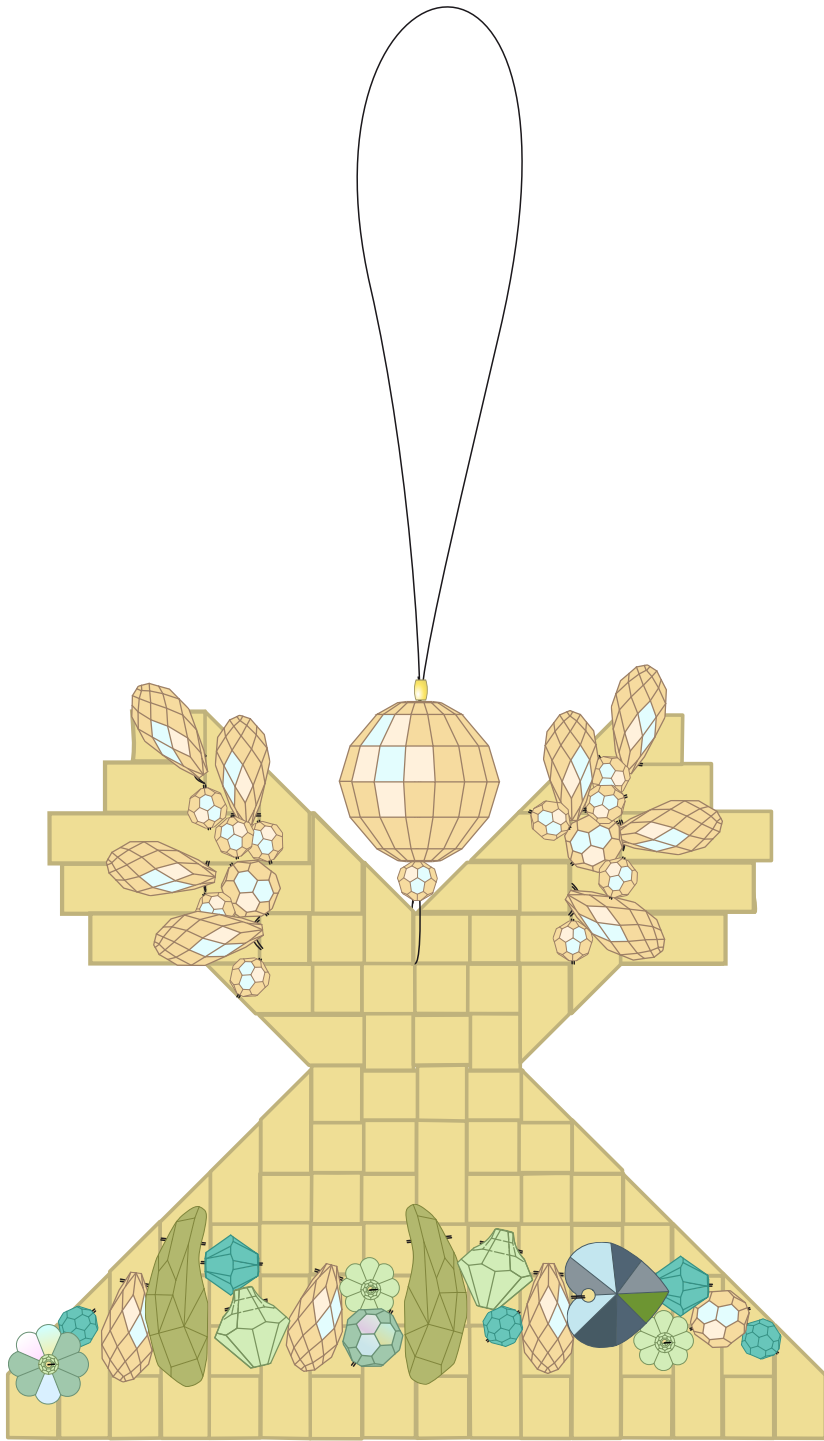


x3



Repeat step x16





CREATE YOUR STYLE with CRYSTALLIZED™ – *Swarovski Elements* Design Project
Christmas Decoration Angel

- STEP 1: Soak the straw pieces in water for half an hour.
- STEP 2: Press the straw's flat as shown in the illustrations. Start weaving with 5 straw pieces as shown and carefully progress step by step as shown by the red outlines in the illustration. Secure them with tape as shown.
- STEP 3: Weave in the sixth piece of straw but leave 8cm on one side as shown in the illustration. Repeat this step with the seventh piece of straw.
- STEP 4: Weave from the left side to the right side and repeat this step again for the next straw. Turn weaved pattern over and secure the other side with a tape as shown in the illustrations.
- STEP 5: Weave an eighth piece of straw in and fold it as shown in the second illustration in this step. Now repeat this step 5 more times inserting five more new straws.
- STEP 6: Secure this side with a tape too.
- STEP 7: Cut 1 m of nylon thread and make 4 back stitches as shown in the illustration.
- STEP 8: Insert the first crystal listed below and sew it onto the straw and repeat this step 9 more times to sew on new CRYSTALLIZED™ – *Swarovski Elements*:
- 6010 11x 5.5mm Crystal Golden Shadow
 - 5000 4mm Crystal Golden Shadow
 - 5000 4mm Crystal Golden Shadow
 - 6010 11x 5.5mm Crystal Golden Shadow
 - 5000 4mm Crystal Golden Shadow
 - 5000 6mm Crystal Golden Shadow
 - 6010 11x 5.5mm Crystal Golden Shadow
 - 5000 4mm Crystal Golden Shadow
 - 6010 11x 5.5mm Crystal Golden Shadow
 - 5000 4mm Crystal Golden Shadow
- With the two left over thread ends make a knot as shown in the illustration and cut off the leftover thread ends. Remove the tape from one end.
- STEP 9: Repeat step 7–8 one more time for the other end and cut off the straw ends after different lengths as you see in illustration.

STEP 10: Cut 1 m of nylon thread & make three back stitches as shown in the illustration and slide on the CRYSTALLIZED™ Sew-on Stone article 3700 8 mm and the CRYSTALLIZED™ Bead article 5000 2 mm. Go through the Sew-on Stone article 3700 back with the same thread end as shown in the illustration. You have to repeat the same process wherever you have to insert a CRYSTALLIZED™ Sew-on Stone article 3700. Now insert the CRYSTALLIZED™ Bead article 5000 4 mm Blue Zircon and repeat the step 16 more times to insert the crystals in the following order:

6010 11x 5.5 mm Crystal Golden Shadow
5531 18 mm Olivine
5328 6 mm Blue Zircon
6301 8 mm Peridot
6010 11x 5.5 mm Crystal Golden Shadow
3700 6 mm Peridot
5000 6 mm Crystal Golden Shadow
5531 18 mm Olivine
6301 8 mm Peridot
5000 4 mm Crystal Golden Shadow
6010 11x 5.5 mm Crystal Golden Shadow
6202 10.3x10 mm Crystal Vitrail Medium
5328 6 mm Blue Zircon
3700 6 mm Peridot
5000 6 mm Crystal Golden Shadow
5000 4 mm Crystal Golden Shadow

Now remove the tape from the lower end and cut off the excess of straw.

STEP 11: Cut 30 cm of tiger tail, thread both ends through a CRYSTALLIZED™ Bead article 5000 4 mm Crystal Golden Shadow, through a CRYSTALLIZED™ Bead article 5005 16 mm, through the crimping tube and also through weaved straw as shown in the illustration in this step.

STEP 12: Form with one tiger tail end a 7 cm loop as marked with red colour in the illustration. Thread the end back through all the three elements, crimp the tube with crimping pliers as shown (1/2) and cut off the excess of tiger tail (3) with the help of a side cutter as you see in the illustration.