

CREATE
YOUR STYLE with
CRYSTALLIZED™
-Swarovski Elements

DESIGN PROJECT
CHRISTMAS
GIFT BAG



CHRISTMAS GIFT BAG



CRYSTALLIZED™ – Swarovski Elements

Article	Product Group	Article No.	Amount	Size	Colour	Colour Code
	Beads	5000	2 pcs.	8 mm	Padparadscha	542
	Beads	5000	2 pcs.	10 mm	Cyclamen Opal	398
	Beads	5000	3 pcs.	10 mm	Light Siam	227
	Beads	5040	2 pcs.	12 mm	Crystal Red Magma	001 REDM
	Beads	5531	2 pcs.	18 mm	Crystal Red Magma	001 REDM
	Pendants	6010	1 pc.	13 x 6.5 mm	Padparadscha	542
	Pendants	6202	4 pcs.	14 x 14 mm	Cyclamen Opal	398

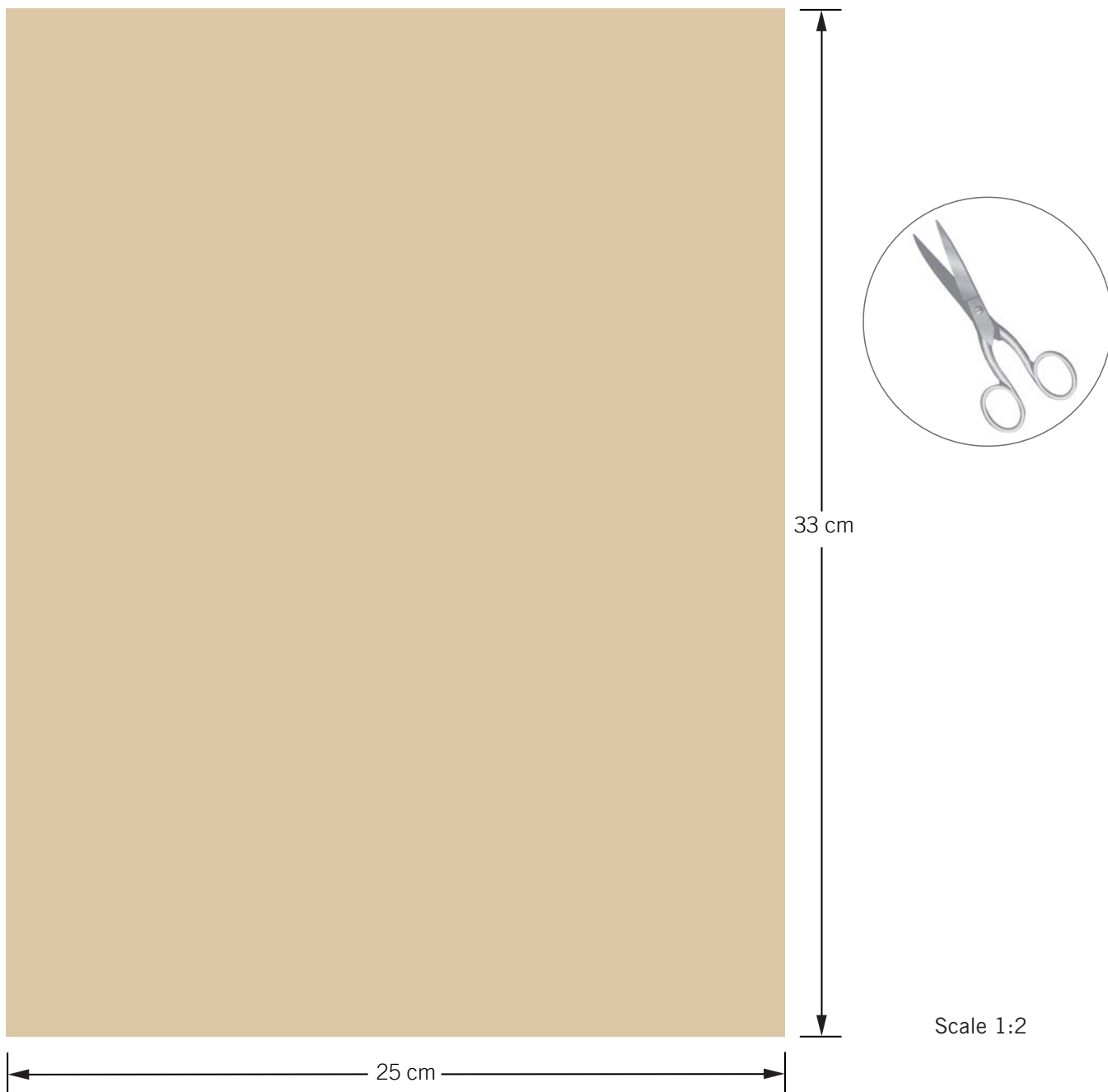
Supplies & Tools

- Supplies**
- Embroidery thread, dark red, 4 m
 - Linen, beige, 70 x 30 cm
 - Ribbon twine, beige, 2 m
 - Sewing silk, beige
- Tools**
- Beading needle
 - Pins
 - Ruler
 - Safety pin
 - Scissors
 - Sewing machine

Level of design: BEGINNER

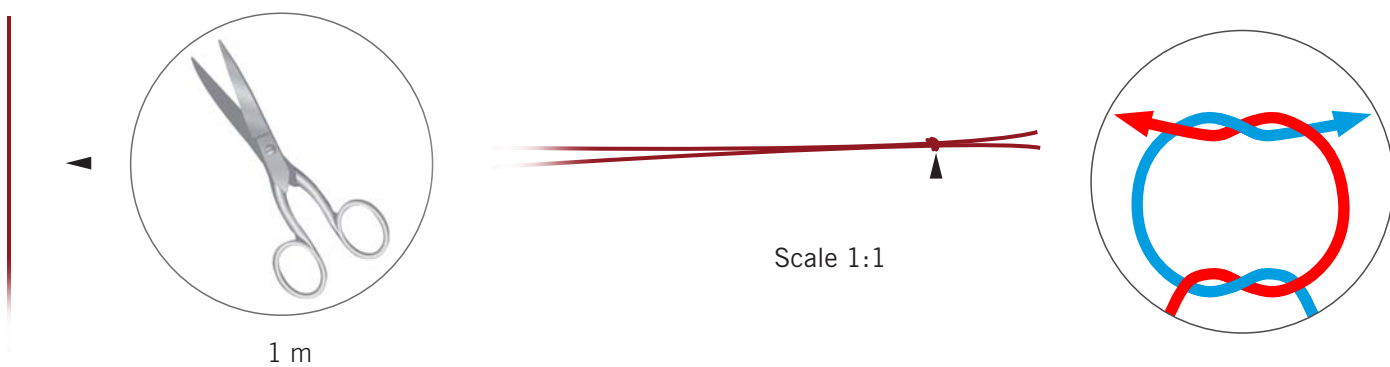
Have also a look at the **text instruction** at the last page!

STEP 1

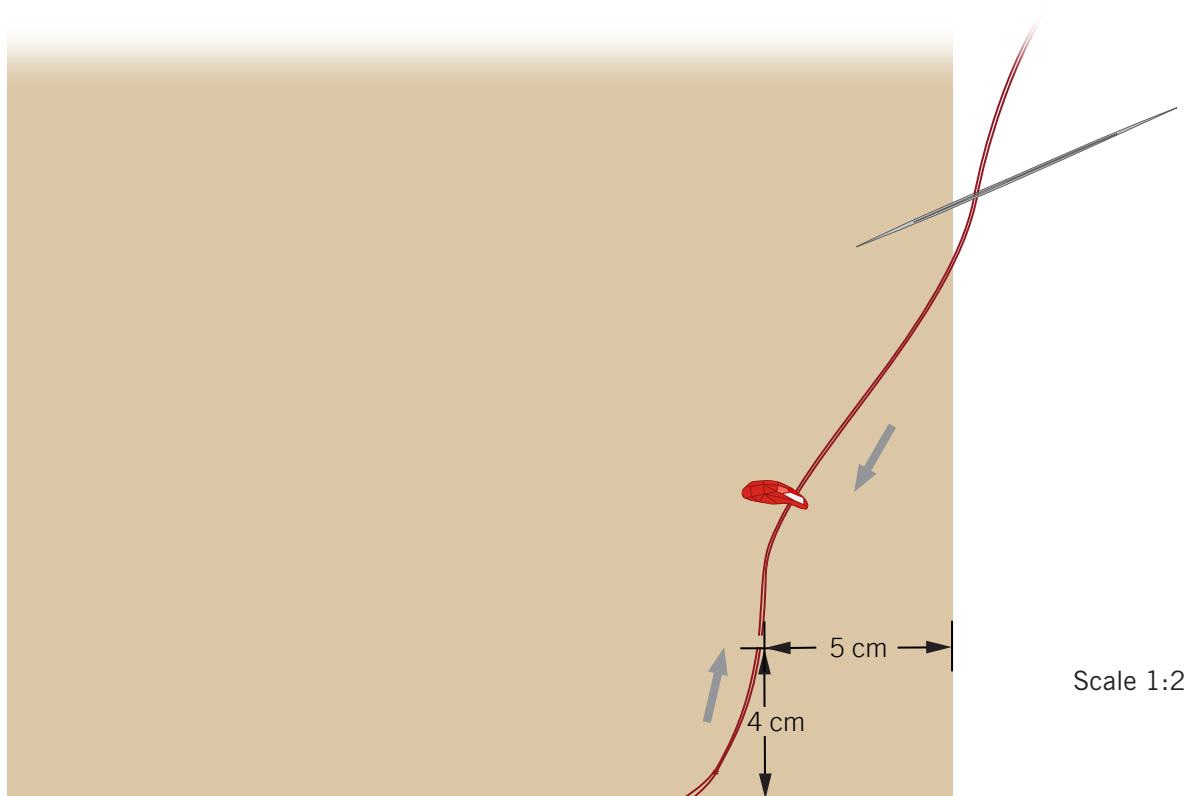


Repeat x1

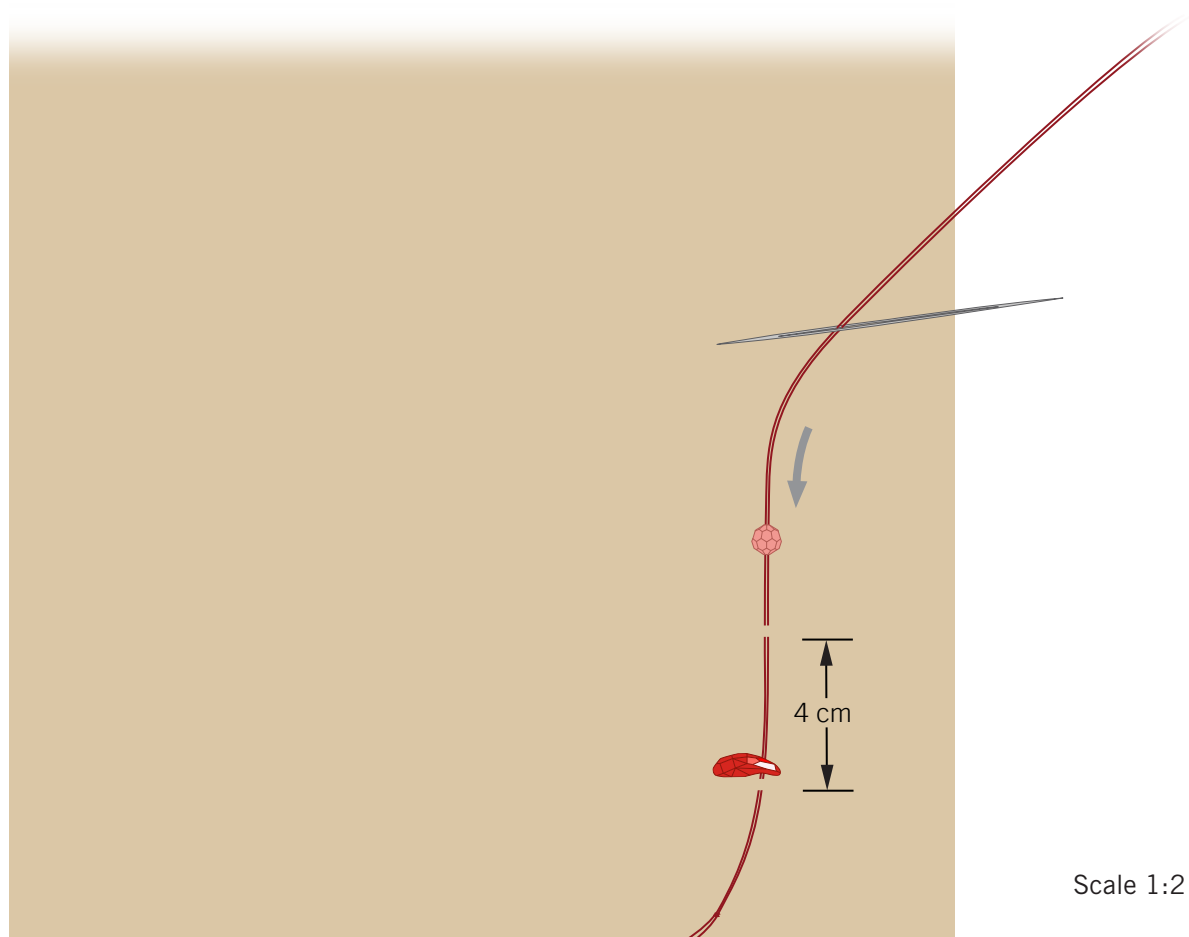
STEP 2



STEP 3

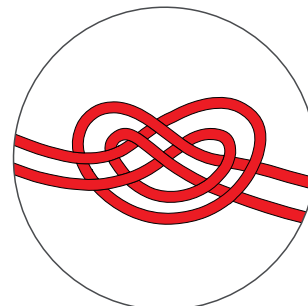
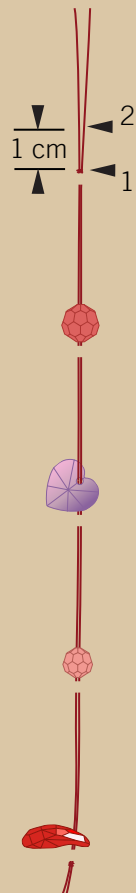


STEP 3



STEP 5

Repeat steps 3 - 4 x2:



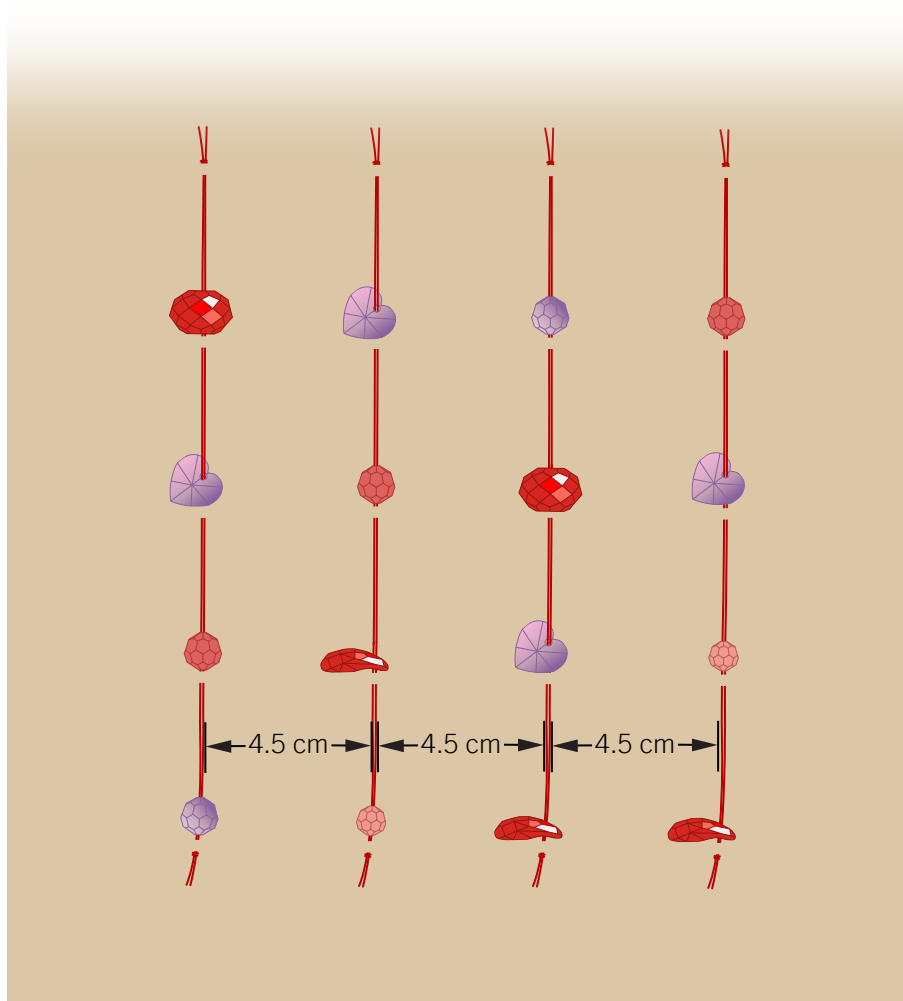
1



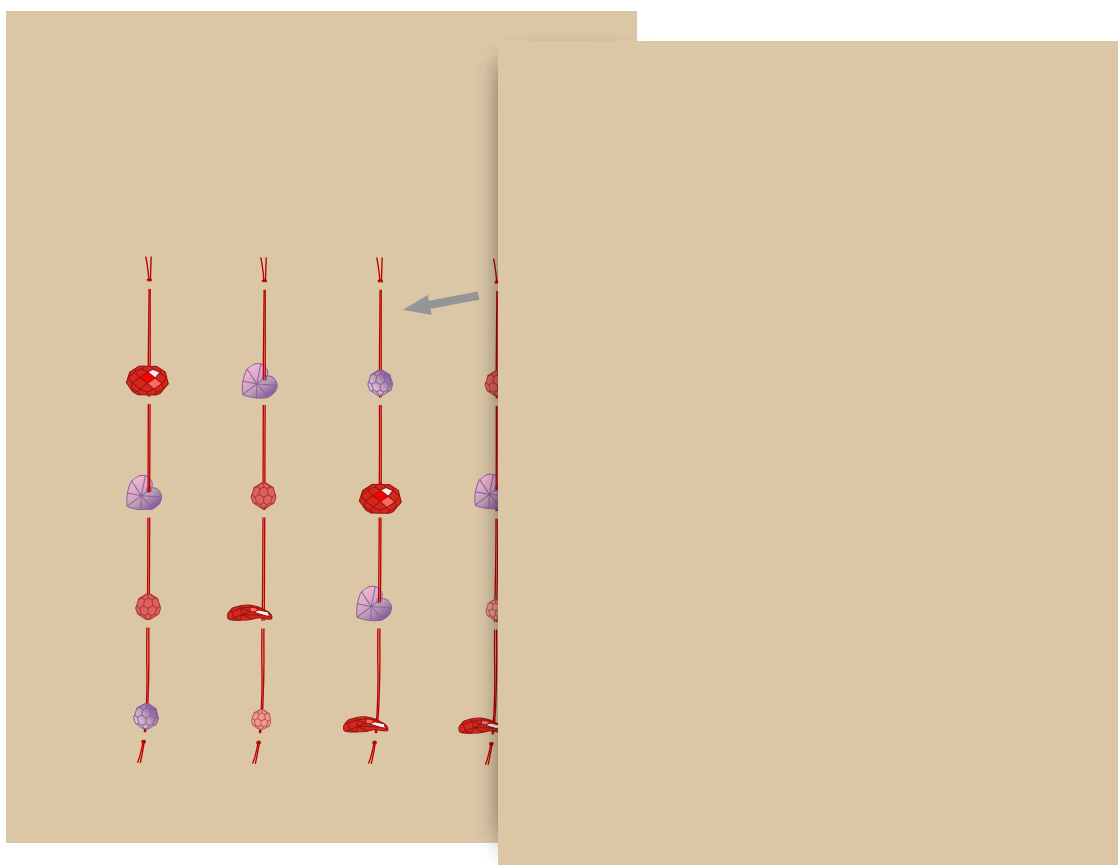
2

STEP 6

Repeat steps 2 - 5 x3

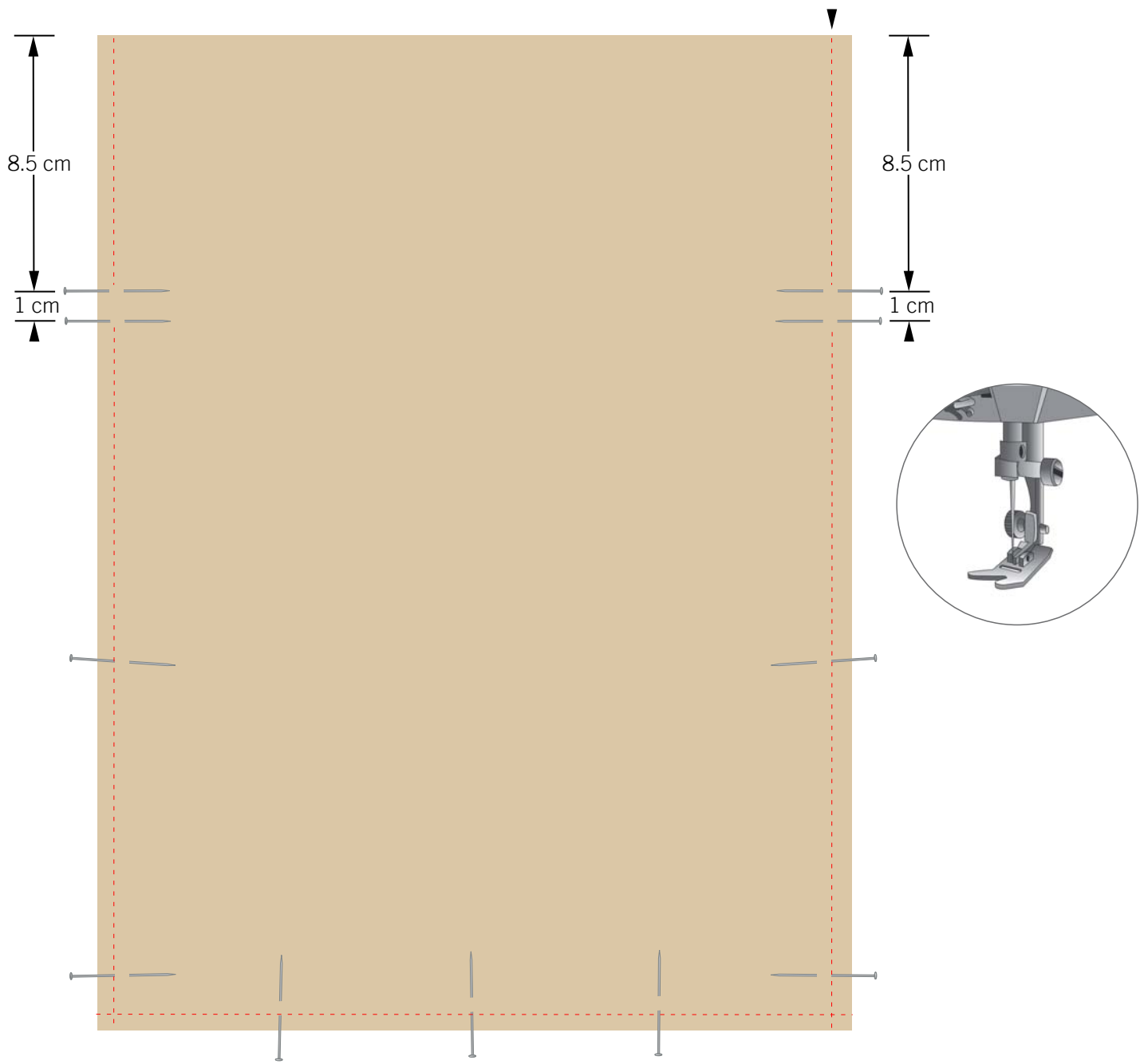


STEP 7



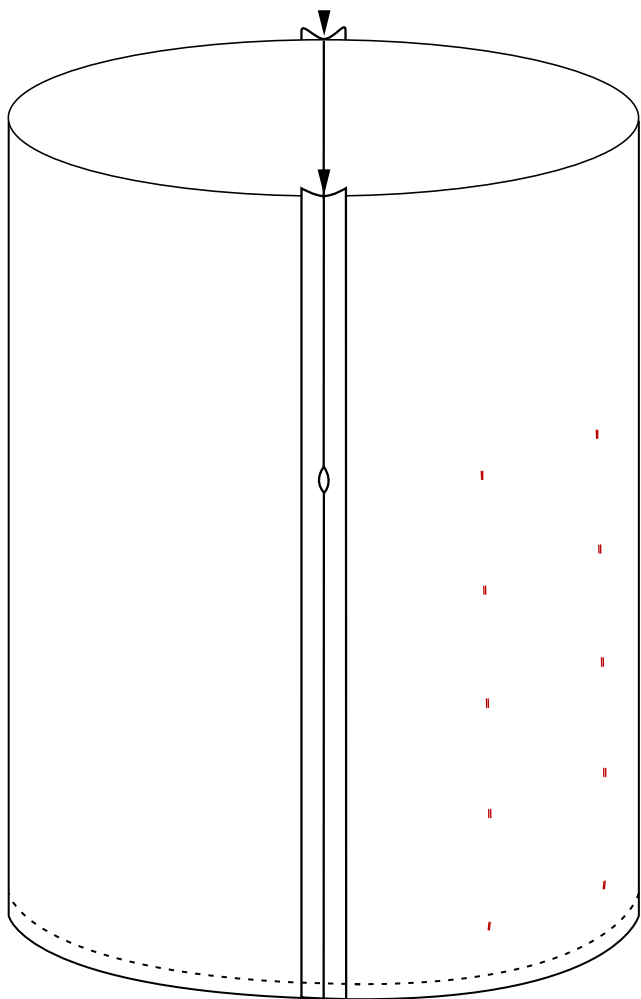
Scale 1:3

STEP 8

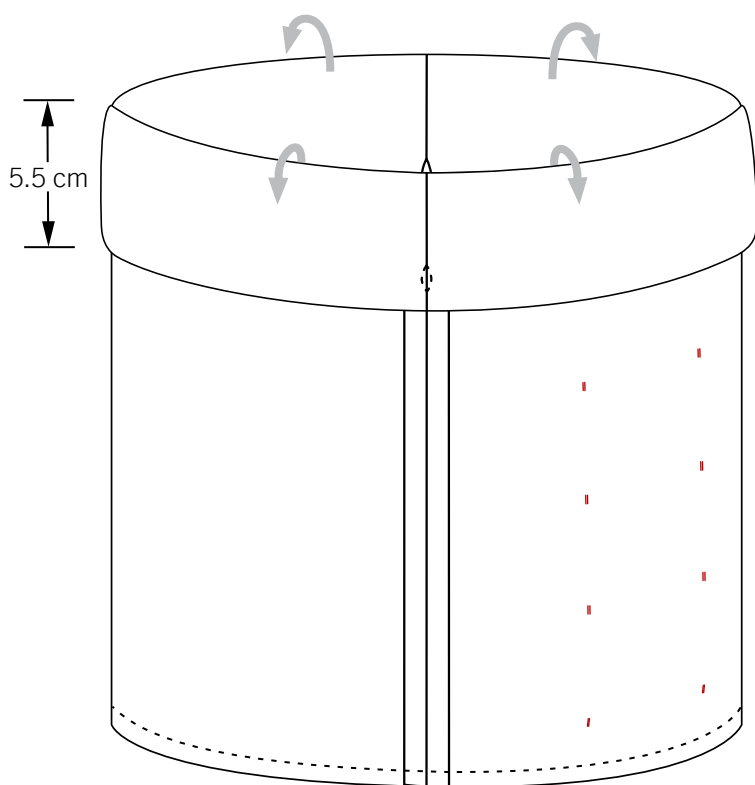


Scale 1:2

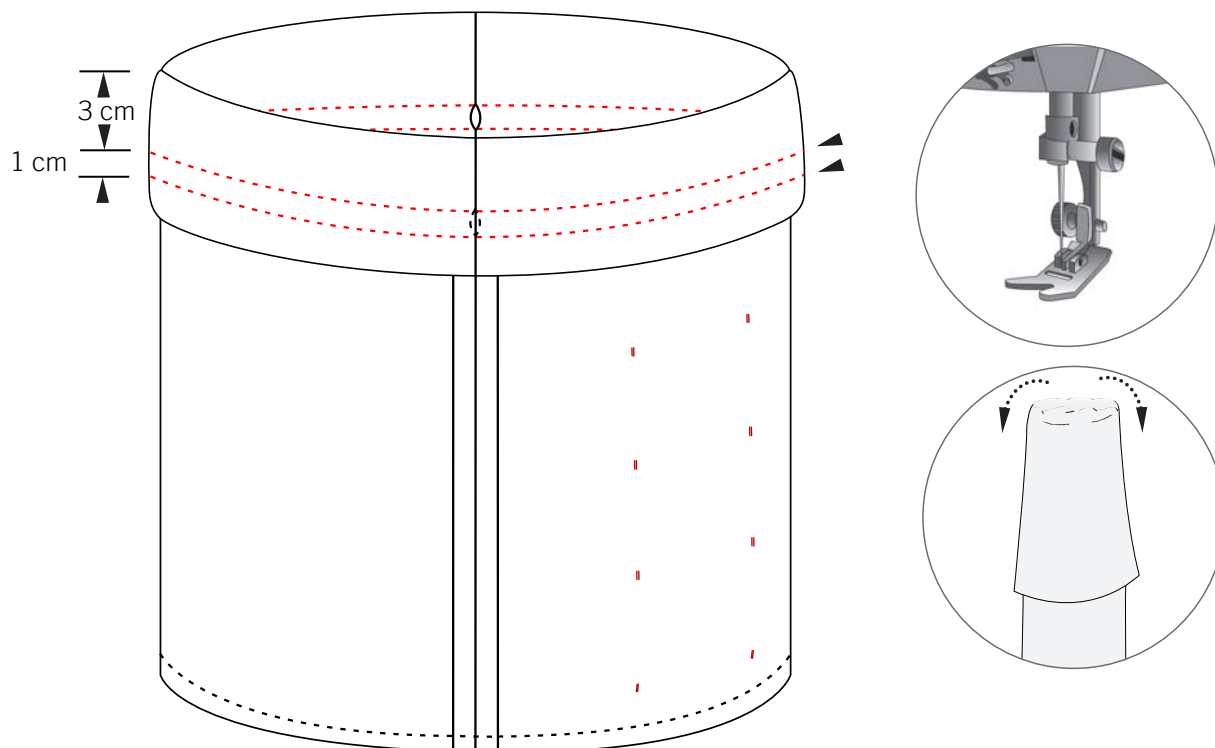
STEP 9



Scale 1:3



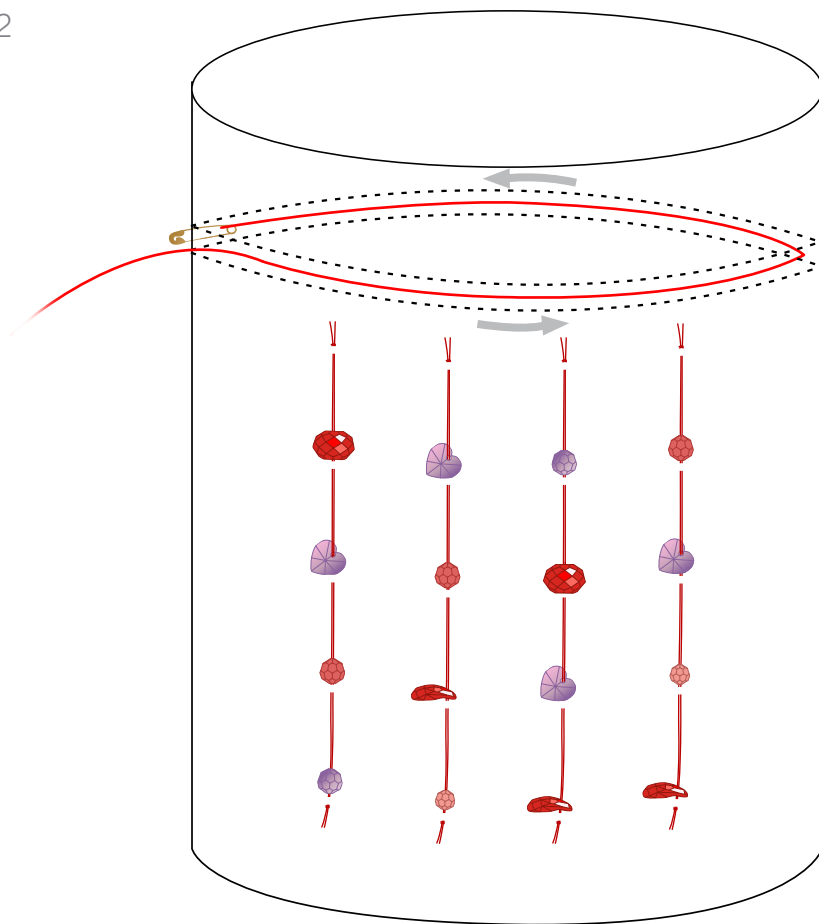
STEP 10



STEP 11

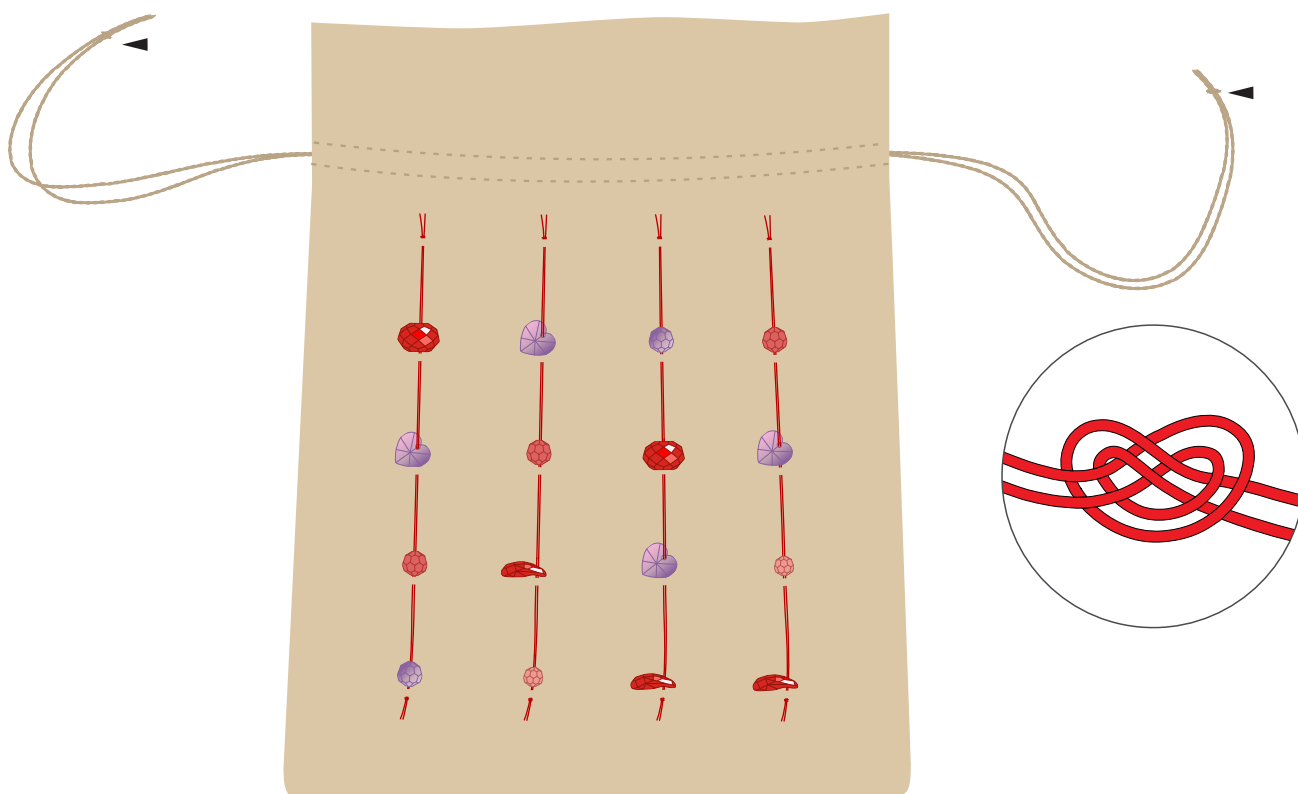


STEP 12



Scale 1:3

Repeat step x1



CREATE YOUR STYLE with CRYSTALLIZED™ – *Swarovski Elements* Design Project
Christmas Gift Bag

- STEP 1: Cut out of beige linen a rectangle of 33x22cm and repeat this step for a second linen piece.
- STEP 2: Cut 1 m from dark red embroidery thread – take it double and make a knot at the end as you see in illustration.
- STEP 3: Make the first stitch as you see in the illustration and slide one CRYSTALLIZED™ Bead article 5531 18mm in Crystal Red Magma.
- STEP 4: Make another stitch after 4mm and slide on next CRYSTALLIZED™ Bead article 5000 8mm in Padparadascha.
- STEP 5: Repeat steps 3–4 twice with 2 more crystals as you see in illustration. Then make a knot with both thread ends and cut excess off after 1 cm.
- STEP 6: Repeat steps 3–5 three times with remaining crystals.
- STEP 7: Put the 2nd rectangle of beige linen above the one with embroidery.
- STEP 8: Sew with sewing machine as you see in illustration (red dotted line). Leave out the upper border and on left and right side after 8.5cm 1 cm space. These spaces will be used later on as slits where you lead through the ribbon twines.
- STEP 9: Iron left and right sewing as you see in illustration. Bend down upper 5.5cm.
- STEP 10: Sew with sewing machine all around bag on upper point of slits and lower border of slits (see illustration).
- STEP 11: Cut 1 m of ribbon 2 times and insert one piece of ribbon onto safety pin the first ribbon twine.
- STEP 12: With the help of a safety pin, slide the first piece of ribbon from left side through slit all around the bag (as you see on illustration). Repeat this step once with second ribbon piece and this time go from right side through slit all around the bag. Make a knot with ends on each side as you see in illustration.